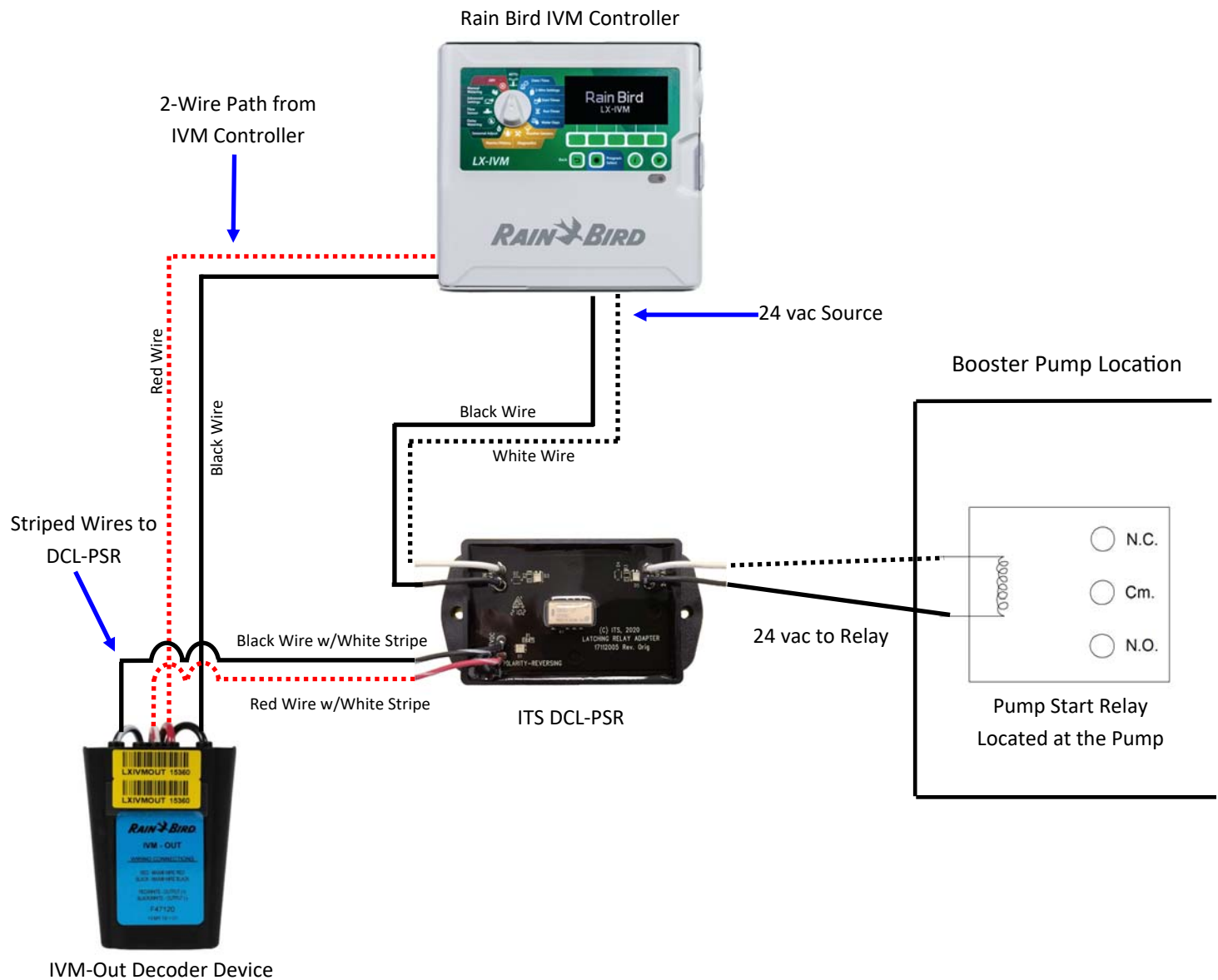


# ITS IVM Pump Start Relay Instructions

**Model Number: DCL-PSR**

**DESCRIPTION: Scenario #1**

The diagram below is for situations where the IVM controller is in close proximity to the irrigation Booster Pump where it can provide 24 vac power to the device. The DCL-PSR is “normally open” until powered, at which point it will provide 24 vac to the pump start relay. The powering of the device can be provided by either the existing controller or a separate 24 vac transformer. If the controller is wall mounted additional housing for the IVM decoder and the DCL-PSR might be needed.



**DESCRIPTION: Scenario #2**

The diagram below is for situations where the IVM controller is NOT in close proximity to the Booster Pump. This scenario provides a normally open circuit to the pump relay. When the DCL-PSR is powered the circuit to the pump relay will close. This wiring scenario is more advanced and should be installed by an experienced pump technicians only.

